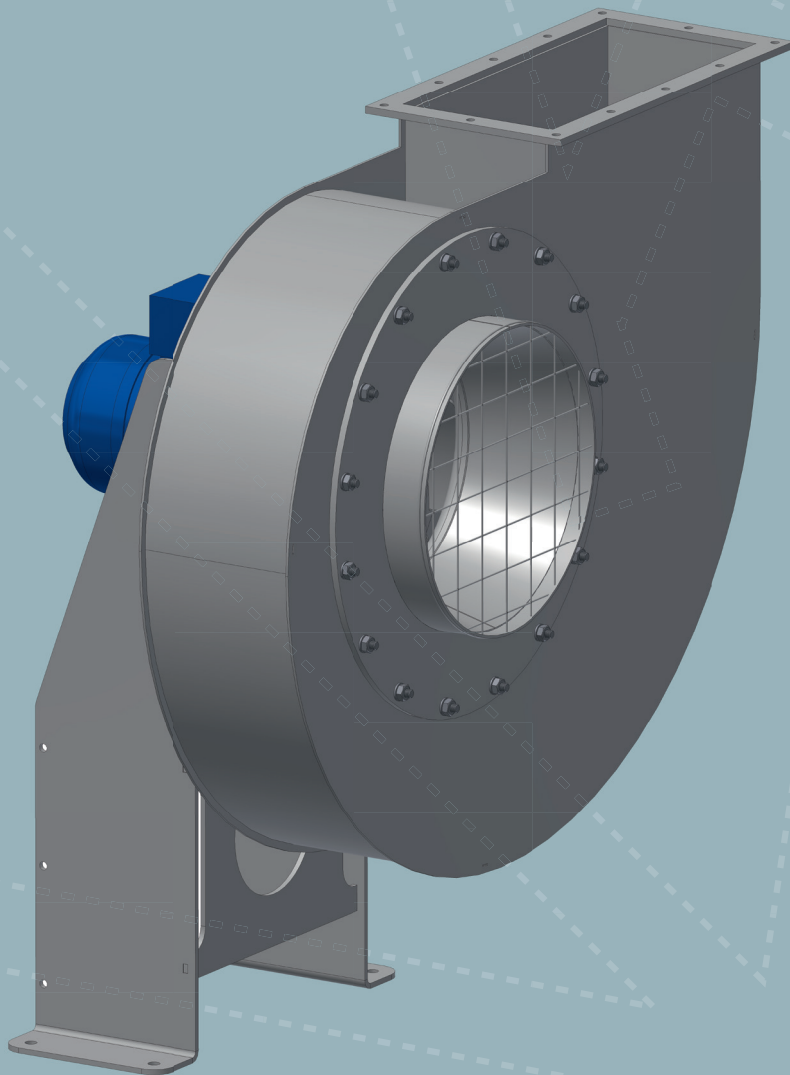




VTK

**ENGINEERS
WHO DELIVER**

DESIGN & MANUFACTURING
SINCE 1893



K-TYPE FAN

VTK FANS & BLOWERS

VTK K-TYPE FAN

Our K-Type fan is a renewed and, due to the optimized production, we are very competitive and the best choice on the market.

The fan casing is constructed in such a way that it can be positioned in 8 different positions. The necessary orientation for your specific layout is not a problem; just choose the right one. All fans are equipped with the impeller on the motor shaft, which results in a product that has the smallest footprint possible.

The K-Type fan casing can be used for ClockWise (CW) and CounterClockWise (CCW) rotation. In one fan casing you have a choice of several different impeller sizes, whereby a variation of flow and pressure can be obtained.

The K-Type fan is produced as lightweight as possible without losing sight of the necessary and by law required strength requirements. All electric motors above 0.75kW are normalized on the IEC3 efficiency class.

If a K-Type fan does not fit your process requirements we always will help you out with our E-Type series or our customized VTK fans.

K-TYPE SPECIFICATION

Single inlet Centrifugal fans, direct driven,

Closed Backward curved impeller made of steel sheet, dynamically balanced. Designed to continuously transport air from +10°C till +60°C. Suitable for transporting clean air.

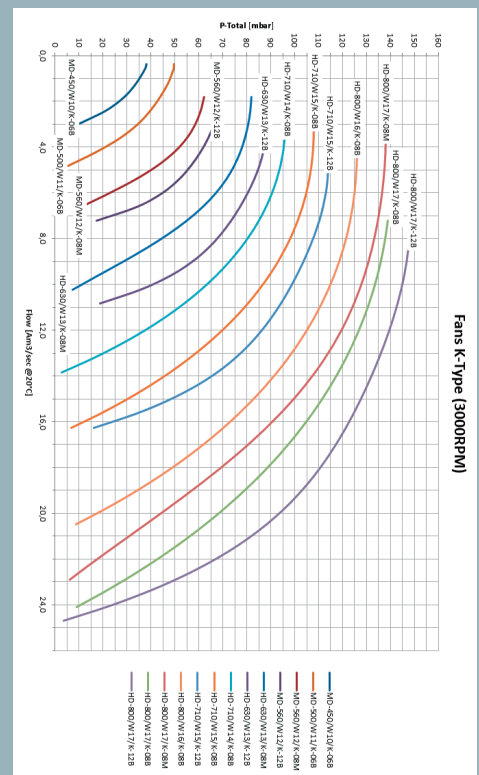
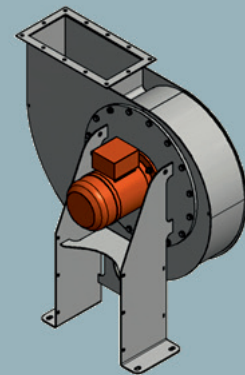
Orientation by AMCA 99.2406.83 Standard.

Assembly System is executed as direct drive, inlet mounted.

Motors: 2,4 pole. IE3 high efficiency. The RPM of each motor can be 3000 or 1500 RPM, three phase 230/400 50Hz up to 3 kW and 400/690V 50 Hz for higher powers. IP55, class F protection.

STANDARD CONFIGURATION:

- Centrifugal fan direct driven (arrangement 4 SWSI according AMCA 99-2404-03)
- Impeller high, medium or low pressure depending on fan type selected from Diagrams
- Fan casing material Carbon Steel S235J
- Impeller material Carbon steel S235J
- Support stand (material as fan casing)
- 2 or 4 pole motor depending on Motor RPM selection. All motors from 0.75kW and above are IE3 high efficiency. Paint colour of motor is RAL 5026
- Motor shaft seal is VITON A
- Round Inlet flange
- Rectangular outlet flange
- Fan casing orientation is CW 360° according AMCA 99-2406-03 (rotation determined from drive side.)
- 2 layer paint 150µm, VTK Light Blue (Corrosion category C2 according EN ISO 12944-2)



Van Tongeren Kennemer B.V.

Gooland 8, 1948 RC Beverwijk

The Netherlands

Tel: +31 251 279900

E-mail: sales@vtk.nl

Website: www.vtk.nl